

JDN Product Info No. 2

01/2008

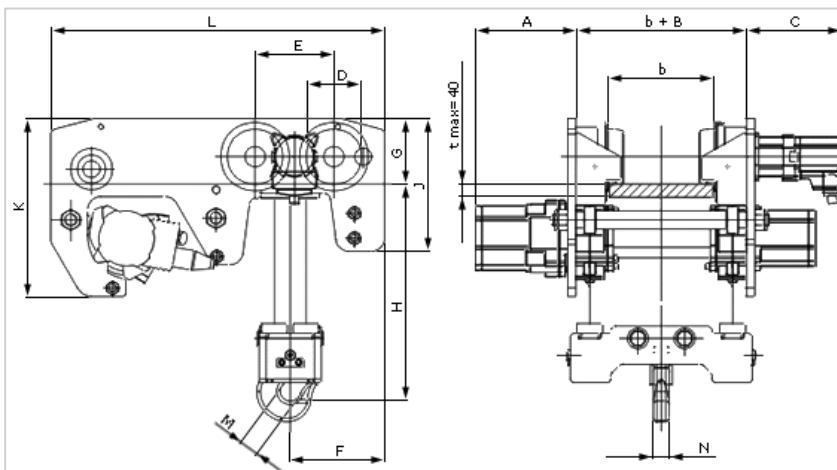
JDN Ultra-Low Monorail Hoists UH 16

The JDN Ultra-Low Monorail Hoist series is extended by the UH 16 with a carrying capacity of 16 t:

Type		UH 4	UH 6	UH 8	UH 12	UH 16
Carrying capacity	t	4,0	6,0	8,0	12,0	16,0
Number of chain strands		2	2	4	4	4
Engine output	kW	2,5	2,5	2,5	2,5	2,5
Air pressure	bar	6	6	6	6	6
Lifting speed at full load	m/min	3,0	2,0	1,4	0,9	0,65
Lifting speed without load	m/min	6,0	4,5	2,9	2,2	1,2
Lowering speed at full load	m/min	7,5	5,2	3,6	2,5	1,5
Air consumption Lifting -full load-	m³/min	4,0	4,0	4,0	4,0	4,0
Air consumption Lowering -full load-	m³/min	5,5	5,5	5,5	5,5	5,5
Air connection		G ¾	G ¾	G ¾	G ¾	G ¾
Hose dimension (Ø inside /Ø outside)	mm	19/31	19/31	19/31	19/31	19/31
Weight at standard lift without control	kg	460	470	540	550	560
Chain dimension	mm	13 x 36	13 x 36	13 x 36	13 x 36	13 x 36
Weight of 1 m chain	kg	3,8	3,8	3,8	3,8	3,8
Standard lift	m	3	3	3	3	3
Length of control at standard lift	m	2	2	2	2	2



Installation of an UH 16 in a blast furnace



Dimensions		UH 16
A	mm	305
B	mm	200
C	mm	284
D	mm	165
E	mm	236
F	mm	283
G	mm	197,5
H min, 150 ≤ b ≤ 310	mm	-
H min, 150 ≤ b ≤ 230	mm	334
H min, 230 ≤ b ≤ 310	mm	315
J	mm	400
K	mm	535
L	mm	1000
M	mm	53
N	mm	82

Questions regarding this product info may be forwarded to:
marketing@jdn.de.

Your J.D. NEUHAUS Sales Team

J.D. Neuhaus GmbH & Co. KG_D-58449 Witten-Heven
 Phone: +49(0)2302-208-0_Fax: +49(0)2302-208-286
 web site: www.jdn.de_e-mail: info@jdn.de



J.D. NEUHAUS
 powered by air!